

Straight Arm

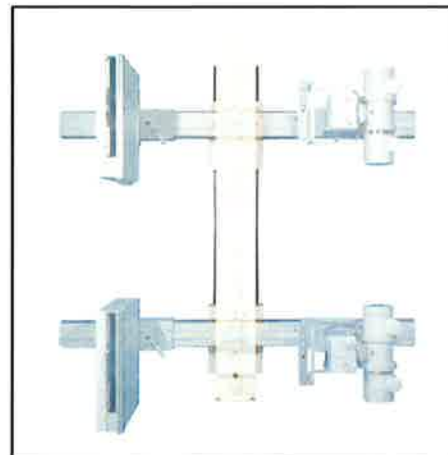
Swivel Arm X-Ray System

The Universal Straight Arm system is an easy to operate, economical solution that accommodates all conventional imaging techniques in seated, standing or recumbent positions. The constant alignment of the x-ray tube and bucky guarantees fast and precise positioning.



Product Features

- Angulating bucky up to $\pm 30^\circ$
- Counterbalanced swivel arm for effortless, accurate positioning
- Swivel arm range of rotation: $+135^\circ$ to -35°
- Compact design that is easy to install in minimal space



Straight Arm

SWIVEL ARM X-RAY SYSTEM



Technical Specifications

Vertical Movement: 16.5in (42cm) to 64in (163cm)

Power supply: 115, 208, 230, 240 VAC; single phase, 350 VA

Dimensions: height; 98.4in (250cm); width; 90.5in (230cm) x depth; 47.8in (121.5cm)

Brakes: electromagnetic locks (24 V DC)

Range of rotation: +135° to -35°

Bucky: with 17in x 17in (43cm x 43cm) grid cabinet (max. cassette size: 43 x 43cm)
- friction locked angulation motion range of $\pm 30^\circ$
- flat locking rails for accessories

Grid: 103 lines; ratio 10:1

Generator: 40kW, 500mA, CM Series high frequency generator

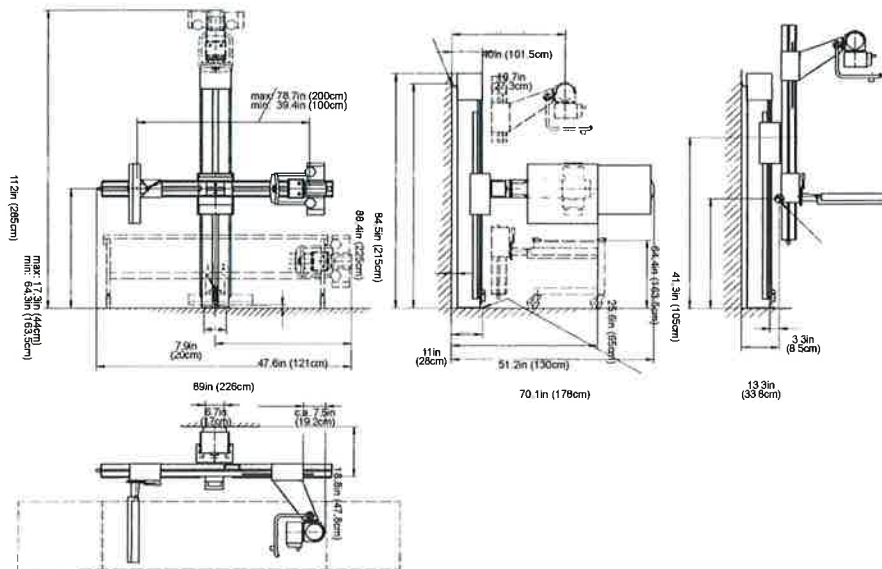
X-Ray tube: 125kVp, 200kHU, 0.6-1.5mm with 3in anode, 14° target

Collimator: Manual collimator with laser light centering and collimator swivel mount allowing 360° with 90° detents

Cables: One pair of 30ft high voltage generator cables, terminated at both ends

Product Options

- AEC ion chamber
- Mobile table with laminate or carbon fiber table top: length: 78.7in (200cm), width: 25.6in
- A variety of generator, grid and tube options are also available



Assurance by White Mountain Imaging

PO Box 216 | Salisbury NH 03268 | Tel: 603-648-2124 | Fax: 603-648-2197 | www.wmi-t2.com



Universal branded products are manufactured and distributed by UMG/Del Medical. Del Medical is an ISO 13485 & ISO 9001 Certified facility. Specifications are subject to change without notice.