

# *Upright Raymaster*

## Chiropractic Imaging System

This economical system combines our VS100 (3546) wall stand with our 3307B M tube stand to meet specialized radiographic needs. The VS100's extensive vertical travel of 58.38in (148.28cm) allows for a full range of upright radiographic studies from skull to lower extremities.



### System Features

- Vertical wall stand with dual counterweight cables and vertical electric locks for added safety
- Tube stand with 6ft longitudinal rails and 10in angulating tube arm
- Tube stand electro magnetic locks provide positive positioning of vertical and horizontal tube stand positions.

# Upright Raymaster

Chiropractic Imaging System



## VS100 Wall Stand - Technical Specifications

Wall stand height:	86.75in (220.4cm)
Receptor height:	23.38in (59.4cm)
Vertical travel range:	58.38in (148.28cm)
Wall stand width (with receptor):	23.25in (59cm)
Wall stand depth (with receptor):	13in (33cm)
Maximum focal spot height:	72.38in (183.84cm)
Minimum focal spot height:	14in (35.6cm)
Front panel aluminum equivalency:	0.4mm
Weight:	258lb (117kg)
Power requirements:	24VDC

## 3307 Tube Stand - Technical Specifications

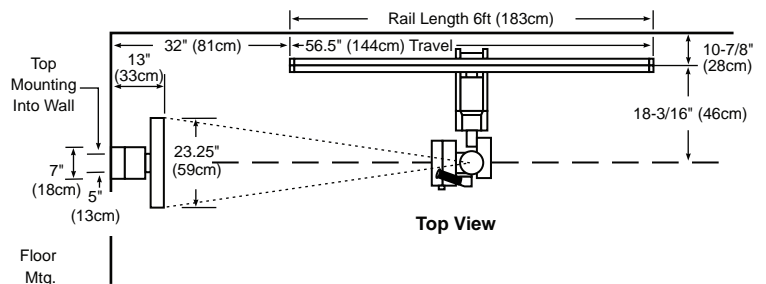
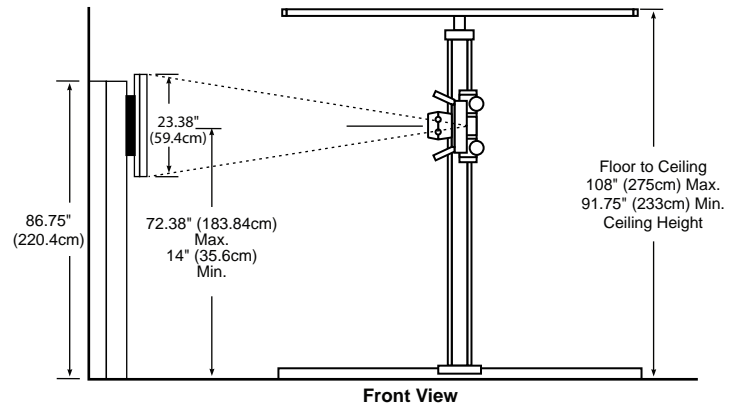
Min. vertical travel:	14.5in (37cm)
Rails:	6ft longitudinal floor and ceiling rail set allows for 40in (100cm) and 72in (180cm) film distances
Maximum ceiling height:	108in (274cm)
Minimum ceiling height:	91.75in (233cm)
Tube rotation:	180° tube rotation about the horizontal axis

## System Options

- Choice of high frequency or single phase generators to meet specific needs
- 10:1 or 12:1 ratio grids for analog or digital imaging
- 17in x 17in (43cm x 43cm) grid cabinet or bucky
- Ion chamber (AEC)

## Certifications

ETL listed



Assurance by White Mountain Imaging

PO Box 216 | Salisbury NH 03268 | Tel: 603-648-2124 | Fax: 603-648-2197 | [www.wmi-t2.com](http://www.wmi-t2.com)

**Universal**

Universal branded products are manufactured and distributed by UMG/Del Medical. Del Medical is an ISO 13485 & ISO 9001 Certified facility. Specifications are subject to change without notice.